

ULTRA PRECISION SHAFTING

1/4
DIAMETER

A

STRAIGHT WITHIN .0001/INCH

MODIFICATIONS AVAILABLE ON REQUEST

Special Shaft Lengths
Retainer Ring Grooves
Journals
Milled Flats
Drilled Holes

Material: 303 Stainless steel.

For case hardened and ground shafting see pages 55A & 56A

ORDER BY CATALOG NUMBER

Cat. No.	A	Cat. No.	A	Cat. No.	A	Cat. No.	A
AAS-A8-1	1.000	AAS-A8-11	2.250	AAS-A8-21	3.500	AAS-A8-31	5.750
AAS-A8-2	1.125	AAS-A8-12	2.375	AAS-A8-22	3.625	AAS-A8-32	6.000
AAS-A8-3	1.250	AAS-A8-13	2.500	AAS-A8-23	3.750	AAS-A8-33	6.500
AAS-A8-4	1.375	AAS-A8-14	2.625	AAS-A8-24	3.875	AAS-A8-34	7.000
AAS-A8-5	1.500	AAS-A8-15	2.750	AAS-A8-25	4.000	AAS-A8-35	8.000
AAS-A8-6	1.625	AAS-A8-16	2.875	AAS-A8-26	4.250	AAS-A8-36	9.000
AAS-A8-7	1.750	AAS-A8-17	3.000	AAS-A8-27	4.500	AAS-A8-37	10.000
AAS-A8-8	1.875	AAS-A8-18	3.125	AAS-A8-28	4.750		
AAS-A8-9	2.000	AAS-A8-19	3.250	AAS-A8-29	5.000		
AAS-A8-10	2.125	AAS-A8-20	3.375	AAS-A8-30	5.375		

PRECISION GROUND SHAFTING

METRIC
SIZES

ROUGH CUT

Material: 303 Stainless steel.

For case hardened and ground shafting see pages 55A & 56A

ORDER BY CATALOG NUMBER

Dia. mm	Dia. Inch	A Inch mm	Cat. No.	Dia. mm	Dia. Inch	A Inch mm	Cat. No.	
2	.0787 .0784	.24 609,6	AAS-A9-10 AAS-B9-10	7	.2756 .2753	.36 914,4	AAS-A9-130 AAS-B9-130	
2,5	.0984 .0981		AAS-A9-30 AAS-B9-30	8	.3150 .3147		AAS-A9-150 AAS-B9-150	
3	.1181 .1178		AAS-A9-50 AAS-B9-50	9	.3543 .3540		AAS-A9-170 AAS-B9-170	
4	.1575 .1572	.36 914,4	AAS-A9-70 AAS-B9-70	10	.3937 .3934	.36 914,4	AAS-A9-190 AAS-B9-190	
5	.1969 .1966		AAS-A9-90 AAS-B9-90	12	.4724 .4721		.36 914,4	AAS-A9-230 AAS-B9-230
6	.2362 .2359		AAS-A9-110 AAS-B9-110					

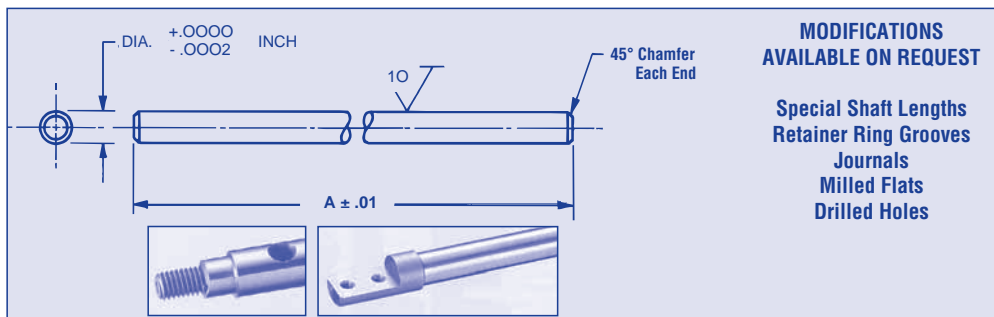
Special lengths and diameters are available on request. Please consult factory for price and quantity discounts.

NORDEX

(800) 243-0986
In CT (203) 775-4877

12A

2 TO 4 mm DIAMETERS



For case hardened and ground shafting used with linear bearings, see pages 55A and 56A

Material: 303 Stainless steel.

ORDER BY CATALOG NUMBER

Dia. mm	Equiv. Dia. Inch	A Inch mm	Catalog No.	Dia. mm	Equiv. Dia. Inch	A Inch mm	Catalog No.
2	.0787	0.9843 25	AAS-A9-1	2.5	.0984	0.9843 25	AAS-A9-21
		1.968 50	AAS-A9-2			1.968 50	AAS-A9-22
		2.953 75	AAS-A9-3			2.953 75	AAS-A9-23
		3.937 100	AAS-A9-4			3.937 100	AAS-A9-24
		5.905 150	AAS-A9-5			5.905 150	AAS-A9-25
		7.874 200	AAS-A9-6			7.874 200	AAS-A9-26
		11.811 300	AAS-A9-7			11.811 300	AAS-A9-27
		15.748 400	AAS-A9-8			15.748 400	AAS-A9-28
		19.685 500	AAS-A9-9			19.685 500	AAS-A9-29
3	.1181	0.9843 25	AAS-A9-41	4	.1575	0.9843 25	AAS-A9-61
		1.968 50	AAS-A9-42			1.968 50	AAS-A9-62
		2.953 75	AAS-A9-43			2.953 75	AAS-A9-63
		3.937 100	AAS-A9-44			3.937 100	AAS-A9-64
		5.905 150	AAS-A9-45			5.905 150	AAS-A9-65
		7.874 200	AAS-A9-46			7.874 200	AAS-A9-66
		11.811 300	AAS-A9-47			11.811 300	AAS-A9-67
		15.748 400	AAS-A9-48			15.748 400	AAS-A9-68
		19.685 500	AAS-A9-49			19.685 500	AAS-A9-69

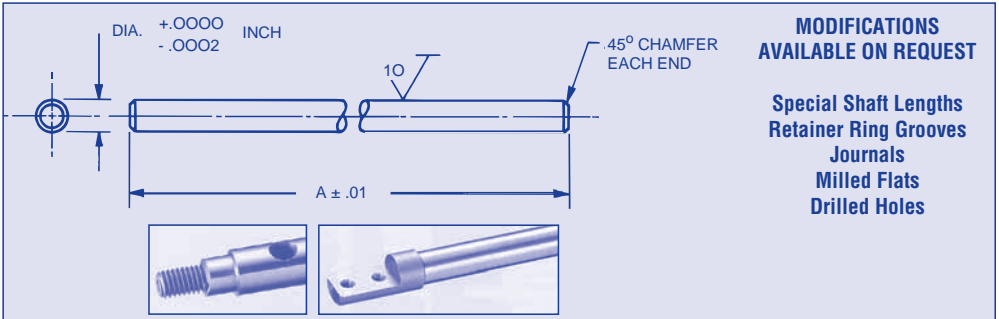
Special lengths and diameters available on request. Please consult factory for price and quantity discounts.

PRECISION GROUND SHAFTING

5 TO 8 mm DIAMETERS

**METRIC
SIZES**

A



**MODIFICATIONS
AVAILABLE ON REQUEST**

**Special Shaft Lengths
Retainer Ring Grooves
Journals
Milled Flats
Drilled Holes**

For case hardened and ground shafting used with bearings, see pages 55A and 56A

Material: 303 Stainless steel.

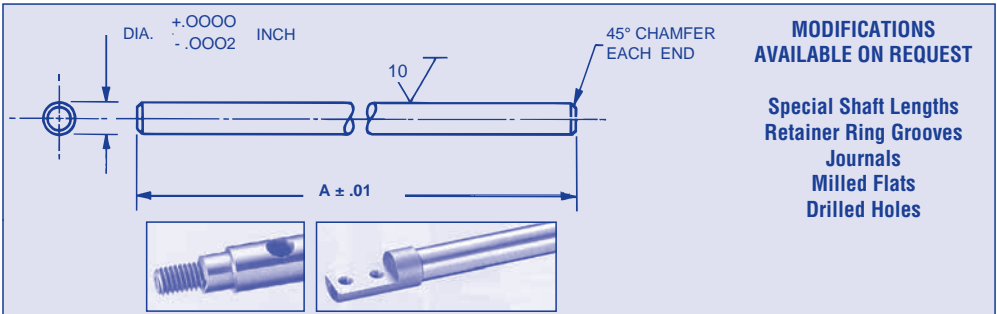
ORDER BY CATALOG NUMBER

Dia. mm	Equiv. Dia. Inch	A Inch/mm	Catalog No.	Dia. mm	Equiv. Dia. Inch	A Inch/mm	Catalog No.
5	.1969	$\frac{0.9843}{25}$	AAS-A9-81	6	.2362	$\frac{0.9843}{25}$	AAS-A9-101
		$\frac{1.968}{50}$	AAS-A9-82			$\frac{1.968}{50}$	AAS-A9-102
		$\frac{2.953}{75}$	AAS-A9-83			$\frac{2.953}{75}$	AAS-A9-103
		$\frac{3.937}{100}$	AAS-A9-84			$\frac{3.937}{100}$	AAS-A9-104
		$\frac{5.905}{150}$	AAS-A9-85			$\frac{5.905}{150}$	AAS-A9-105
		$\frac{7.874}{200}$	AAS-A9-86			$\frac{7.874}{200}$	AAS-A9-106
		$\frac{11.811}{300}$	AAS-A9-87			$\frac{11.811}{300}$	AAS-A9-107
		$\frac{15.748}{400}$	AAS-A9-88			$\frac{15.748}{400}$	AAS-A9-108
		$\frac{19.685}{500}$	AAS-A9-89			$\frac{19.685}{500}$	AAS-A9-109
7	.2756	$\frac{0.9843}{25}$	AAS-A9-121	8	.3150	$\frac{0.9843}{25}$	AAS-A9-141
		$\frac{1.968}{50}$	AAS-A9-122			$\frac{1.968}{50}$	AAS-A9-142
		$\frac{2.953}{75}$	AAS-A9-123			$\frac{2.953}{75}$	AAS-A9-143
		$\frac{3.937}{100}$	AAS-A9-124			$\frac{3.937}{100}$	AAS-A9-144
		$\frac{5.905}{150}$	AAS-A9-125			$\frac{5.905}{150}$	AAS-A9-145
		$\frac{7.874}{200}$	AAS-A9-126			$\frac{7.874}{200}$	AAS-A9-146
		$\frac{11.811}{300}$	AAS-A9-127			$\frac{11.811}{300}$	AAS-A9-147
		$\frac{15.748}{400}$	AAS-A9-128			$\frac{15.748}{400}$	AAS-A9-148
		$\frac{19.685}{500}$	AAS-A9-129			$\frac{19.685}{500}$	AAS-A9-149

Special lengths and diameters available on request. Please consult factory for price and quantity discounts.

NORDEX

(800) 243-0986 14A
In CT (203) 775-4877



For shafting used with linear bearings (case hardened and ground shafting), see pages 55A and 56A

Material: 303 Stainless steel.

ORDER BY CATALOG NUMBER

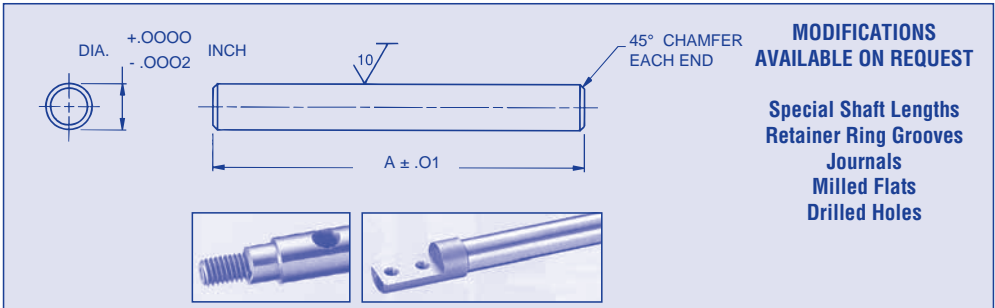
Dia. mm	Equiv. Dia. Inch	A $\frac{\text{Inch}}{\text{mm}}$	Catalog No.	Dia. mm	Equiv. Dia. Inch	A $\frac{\text{Inch}}{\text{mm}}$	Catalog No.
9	.3543	$\frac{0.9843}{25}$	AAS-A9-161	10	.3937	$\frac{0.9843}{25}$	AAS-A9-181
		$\frac{1.968}{50}$	AAS-A9-162			$\frac{1.968}{50}$	AAS-A9-182
		$\frac{2.953}{75}$	AAS-A9-163			$\frac{2.953}{75}$	AAS-A9-183
		$\frac{3.937}{100}$	AAS-A9-164			$\frac{3.937}{100}$	AAS-A9-184
		$\frac{5.905}{150}$	AAS-A9-165			$\frac{5.905}{150}$	AAS-A9-185
		$\frac{7.874}{200}$	AAS-A9-166			$\frac{7.874}{200}$	AAS-A9-186
		$\frac{11.811}{300}$	AAS-A9-167			$\frac{11.811}{300}$	AAS-A9-187
		$\frac{15.748}{400}$	AAS-A9-168			$\frac{15.748}{400}$	AAS-A9-188
		$\frac{19.685}{500}$	AAS-A9-169			$\frac{19.685}{500}$	AAS-A9-189
12	.4724	$\frac{0.9843}{25}$	AAS-A9-221	<p>METRIC CASE HARDENED LINEAR BEARING SHAFTS</p> <p>see AAC-D1+AAC-F1 and AAS-H2+AAS-H3 SERIES</p>			
		$\frac{1.968}{50}$	AAS-A9-222				
		$\frac{2.953}{75}$	AAS-A9-223				
		$\frac{3.937}{100}$	AAS-A9-224				
		$\frac{5.905}{150}$	AAS-A9-225				
		$\frac{7.874}{200}$	AAS-A9-226				
		$\frac{11.811}{300}$	AAS-A9-227				
		$\frac{15.748}{400}$	AAS-A9-228				
		$\frac{19.685}{500}$	AAS-A9-229				

PRECISION GROUND SHAFTING

3, 4 mm DIAMETERS

**METRIC
SIZES**

A



Material: 303 Stainless steel.

For case hardened and ground shafting see pages 55A & 56A

ORDER BY CATALOG NUMBER

For use with ball bearings

ia. mm Inch	A mm	A Equiv Inch	Cat. No.	Dia. mm Inch	A mm	A Equiv Inch	Cat. No.
$\frac{3}{.1178}$	25	.9843	AAS-B9-301	$\frac{4}{.1572}$	25	.9843	AAS-B9-401
	30	1.181	AAS-B9-302		30	1.181	AAS-B9-402
	35	1.378	AAS-B9-303		35	1.378	AAS-B9-403
	40	1.575	AAS-B9-304		40	1.575	AAS-B9-404
	45	1.772	AAS-B9-305		45	1.772	AAS-B9-405
$\frac{3}{.1178}$	50	1.969	AAS-B9-306	$\frac{4}{.1572}$	50	1.969	AAS-B9-406
	55	2.165	AAS-B9-307		55	2.165	AAS-B9-407
	60	2.362	AAS-B9-308		60	2.362	AAS-B9-408
	65	2.562	AAS-B9-309		65	2.562	AAS-B9-409
	70	2.756	AAS-B9-310		70	2.756	AAS-B9-410
$\frac{3}{.1178}$	75	2.953	AAS-B9-311	$\frac{4}{.1572}$	75	2.953	AAS-B9-411
	80	3.150	AAS-B9-312		80	3.150	AAS-B9-412
	85	3.346	AAS-B9-313		85	3.346	AAS-B9-413
	90	3.543	AAS-B9-314		90	3.543	AAS-B9-414
	95	3.740	AAS-B9-315		95	3.740	AAS-B9-415
$\frac{3}{.1178}$	100	3.937	AAS-B9-316	$\frac{4}{.1572}$	100	3.937	AAS-B9-416
	105	4.134	AAS-B9-317		105	4.134	AAS-B9-417
	110	4.331	AAS-B9-318		110	4.331	AAS-B9-418
	115	4.528	AAS-B9-319		115	4.528	AAS-B9-419
	120	4.724	AAS-B9-320		120	4.724	AAS-B9-420
$\frac{3}{.1178}$	125	4.921	AAS-B9-321	$\frac{4}{.1572}$	125	4.921	AAS-B9-421
	150	5.905	AAS-B9-322		150	5.905	AAS-B9-422
	175	6.890	AAS-B9-323		175	6.890	AAS-B9-423
	200	7.874	AAS-B9-324		200	7.874	AAS-B9-424
	225	8.858	AAS-B9-325		225	8.858	AAS-B9-425
$\frac{3}{.1178}$	250	9.843	AAS-B9-326	$\frac{4}{.1572}$	250	9.843	AAS-B9-426
	300	11.811	AAS-B9-327		300	11.811	AAS-B9-427
	400	15.748	AAS-B9-328		400	15.748	AAS-B9-428
	500	19.685	AAS-B9-329		500	19.685	AAS-B9-429

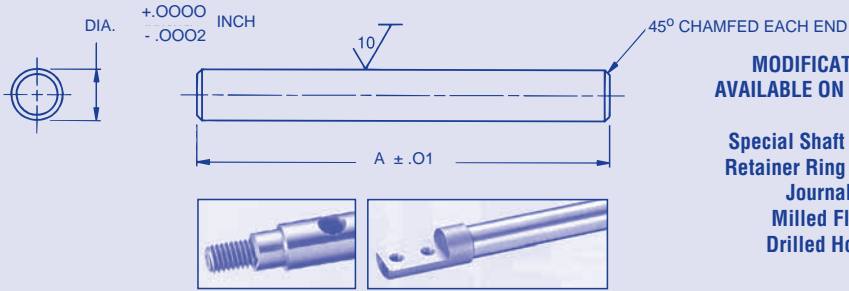
Special lengths and diameters available on request.
Please consult factory for price and quantity discount.

NORDEX

(800) 243-0986
In CT (203) 775-4877

16A

5, 6 mm DIAMETERS



**MODIFICATIONS
AVAILABLE ON REQUEST**

**Special Shaft Lengths
Retainer Ring Grooves
Journals
Milled Flats
Drilled Holes**

ORDER BY CATALOG NUMBER

Material: 303 Stainless steel.

For case hardened and ground shafting see pages 55A & 56A

For use with ball bearings

Dia. mm Inch	A mm	A Equiv Inch	Cat. No.	Dia. mm Inch	A mm	A Equiv Inch	Cat. No.
5 .1966	25	.9843	AAS-B9-501	6 .2359	25	.9843	AAS-B9-601
	30	1.181	AAS-B9-502		30	1.181	AAS-B9-602
	35	1.378	AAS-B9-503		35	1.378	AAS-B9-603
	40	1.575	AAS-B9-504		40	1.575	AAS-B9-604
	45	1.772	AAS-B9-505		45	1.772	AAS-B9-605
5 .1966	50	1.969	AAS-B9-506	6 .2359	50	1.969	AAS-B9-606
	55	2.165	AAS-B9-507		55	2.165	AAS-B9-607
	60	2.362	AAS-B9-508		60	2.362	AAS-B9-608
	65	2.560	AAS-B9-509		65	2.560	AAS-B9-609
	70	2.756	AAS-B9-510		70	2.756	AAS-B9-610
5 .1966	75	2.953	AAS-B9-511	6 .2359	75	2.953	AAS-B9-611
	80	3.150	AAS-B9-512		80	3.150	AAS-B9-612
	85	3.346	AAS-B9-513		85	3.346	AAS-B9-613
	90	3.543	AAS-B9-514		90	3.543	AAS-B9-614
	95	3.740	AAS-B9-515		95	3.740	AAS-B9-615
5 .1966	100	3.937	AAS-B9-516	6 .2359	100	3.937	AAS-B9-616
	105	4.134	AAS-B9-517		105	4.134	AAS-B9-617
	110	4.331	AAS-B9-518		110	4.331	AAS-B9-618
	115	4.528	AAS-B9-519		115	4.528	AAS-B9-619
	120	4.724	AAS-B9-520		120	4.724	AAS-B9-620
5 .1966	125	4.921	AAS-B9-521	6 .2359	125	4.921	AAS-B9-621
	150	5.905	AAS-B9-522		150	5.905	AAS-B9-622
	175	6.890	AAS-B9-523		175	6.890	AAS-B9-623
	200	7.874	AAS-B9-524		200	7.874	AAS-B9-624
	225	8.858	AAS-B9-525		225	8.858	AAS-B9-625
5 .1966	250	9.843	AAS-B9-526	6 .2359	250	9.843	AAS-B9-626
	300	11.811	AAS-B9-527		300	11.811	AAS-B9-627
	400	15.748	AAS-B9-528		400	15.748	AAS-B9-628
	500	19.685	AAS-B9-529		500	19.685	AAS-B9-629

Special lengths and diameters available on request.

Please consult factory for price and quantity discount.

PRECISION GROUND SHAFTING

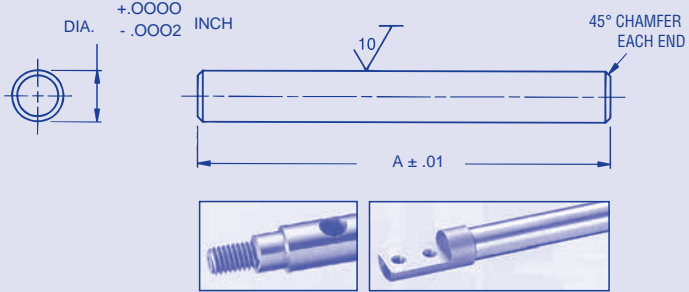
METRIC
SIZES

A

7, 8, 9, 10, 12 mm DIAMETERS

**MODIFICATIONS
AVAILABLE ON REQUEST**

Special Shaft Lengths
Retainer Ring Grooves
Journals
Milled Flats
Drilled Holes



ORDER BY CATALOG NUMBER

Material: 303 Stainless steel.

For case hardened and ground shafting see pages 55A & 56A

For use with ball bearings

Dia. mm Inch	A mm	A Equiv Inch	Cat. No.	Dia. mm Inch	A mm	A Equiv Inch	Cat. No.
$\frac{7}{.2753}$	25	.9843	AAS-B9-701	$\frac{9}{.3540}$	25	.9843	AAS-B9-901
	50	1.968	AAS-B9-702		50	1.968	AAS-B9-902
	75	2.953	AAS-B9-703		75	2.953	AAS-B9-903
$\frac{7}{.2753}$	100	3.937	AAS-B9-704	$\frac{9}{.3540}$	100	3.937	AAS-B9-904
	150	5.907	AAS-B9-705		150	5.907	AAS-B9-905
	200	7.874	AAS-B9-706		200	7.874	AAS-B9-906
$\frac{7}{.2753}$	300	11.811	AAS-B9-707	$\frac{9}{.3540}$	300	11.811	AAS-B9-907
	400	15.748	AAS-B9-708		400	15.748	AAS-B9-908
	500	19.685	AAS-B9-709		500	19.685	AAS-B9-909
$\frac{8}{.3147}$	25	.9843	AAS-B9-801	$\frac{10}{.3934}$	25	.9843	AAS-B9-101
	50	1.968	AAS-B9-802		50	1.968	AAS-B9-102
	75	2.953	AAS-B9-803		75	2.953	AAS-B9-103
$\frac{8}{.3147}$	100	3.937	AAS-B9-804	$\frac{10}{.3934}$	100	3.937	AAS-B9-104
	150	5.907	AAS-B9-805		150	5.907	AAS-B9-105
	200	7.874	AAS-B9-806		200	7.874	AAS-B9-106
$\frac{8}{.3147}$	300	11.811	AAS-B9-807	$\frac{10}{.3934}$	300	11.811	AAS-B9-107
	400	15.748	AAS-B9-808		400	15.748	AAS-B9-108
	500	19.685	AAS-B9-809		500	19.685	AAS-B9-109
Special lengths and diameters available on request.				$\frac{12}{.4721}$	25	.9843	AAS-B9-121
					50	1.968	AAS-B9-122
					75	2.953	AAS-B9-123
Please consult factory for price and quantity discount.				$\frac{12}{.4721}$	100	3.937	AAS-B9-124
					150	5.905	AAS-B9-125
					200	7.874	AAS-B9-126
				$\frac{12}{.4721}$	300	11.811	AAS-B9-127
			400		15.748	AAS-B9-128	
			500		19.685	AAS-B9-129	

NORDEX

(800) 243-0986
In CT (203) 775-4877

18A